

NAME: _____

R1: _____ k Ω

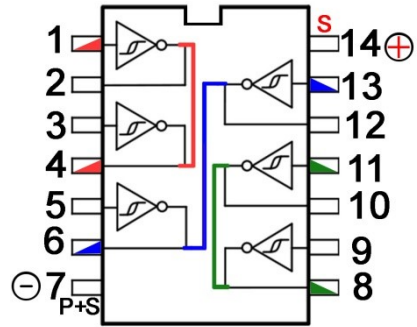
R2: _____ k Ω

R3: _____ k Ω

C1: _____ μ F

C2: _____ μ F

C3: _____ μ F



NAME: _____

R1: _____ k Ω

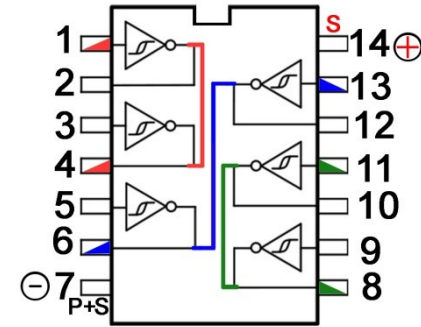
R2: _____ k Ω

R3: _____ k Ω

C1: _____ μ F

C2: _____ μ F

C3: _____ μ F



NAME: _____

R1: _____ k Ω

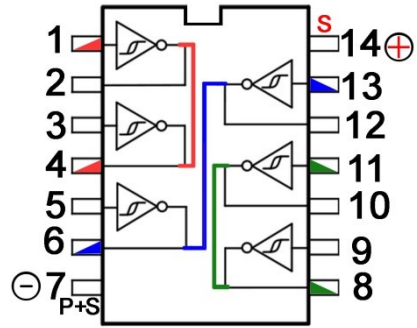
R2: _____ k Ω

R3: _____ k Ω

C1: _____ μ F

C2: _____ μ F

C3: _____ μ F



NAME: _____

R1: _____ k Ω

R2: _____ k Ω

R3: _____ k Ω

C1: _____ μ F

C2: _____ μ F

C3: _____ μ F

